

# OPERATING & SERVICE INSTRUCTIONS

## EPCO Models K30/K40 Jack

For convenience of handling etc, the Jack is despatched partially dismantled. To put the jack into service, the handle (14) is fitted as follows:-

To fit the handle (14) first remove handle retaining clip (51) and insert handle into spring (17), depress into handle base (20) until operating slot coincides with retaining clip

hole. Replace retaining clip (51) ensuring that the locating pin is fully engaged. Turn handle (14) fully clockwise — the Jack is now ready for use after the following initial instructions have been applied:

### OPERATING INSTRUCTIONS

#### AIR LOCKS

Air locks are often unavoidably created by the jostling received whilst the jack is in transit. It is essential that **BEFORE PUTTING THE JACK INTO OPERATION THE FOLLOWING PROCEDURE IS CARRIED OUT:**

1. Check that the air vent plug (fitted to prevent oil leakage in transit) disengages when the Jack is first operated.
2. Fully lower the lifting arm (8) by first depressing the handle and turning half-turn anti-clockwise. With the release valve still open, and the handle approximately horizontal, pump for a short while. Any air trapped in the unit will be dispelled through the release valve. Lightly turn the handle clockwise to close the release valve.
3. Check that the oil level is approximately  $\frac{1}{2}$  in below the level of the filler hole when the lifting arm is fully lowered.

#### LIFTING THE LOAD

This is an Arc Lift Jack and care should be taken when lifting to ensure that the castor wheels are in line with the lifting arm. This enables the Jack to move under the load,

otherwise the lifting pad is liable to slip or put an undue strain on the part being lifted.

#### SAFETY DEVICES

The release mechanism is rendered inoperative by turning the jack handle (14) fully clockwise. To operate the release first depress the jack handle (14) before lowering the load. In addition, an integral relief valve is built into the unit to prevent overloading. **CAR STANDS SHOULD ALWAYS BE USED FOR GREATER SAFETY.**

#### LOWERING THE LOAD

Remembering the heavy load being dealt with, care should be taken not to lower too quickly. Turn the jack handle (14) slowly in an anti-clockwise direction to lower the load under perfect control.

#### OIL LEVEL

Always use EPCO Jack Oil. The correct amount of oil must be maintained in the oil box. To check level, lower jack fully, remove cover (11) and filler plug (36) - the level should be approximately  $\frac{1}{2}$  in below filler plug, top up with EPCO Jack Oil if required.

## FAULT DIAGNOSIS

Jack does not rise when handle is pumped.

- A. Check oil level – top up if necessary.
- B. Is release mechanism in operation? Handle should be turned fully clockwise.
- C. Dirt on valves – clean out.

Jack does not lower when handle is turned anti-clockwise.

- A. See that all moving parts are free.
- B. Broken or fatigued Return Spring (41) – replace.

See-sawing of Lifting Arm when pumping.

- A. Foreign matter under Delivery Valve Ball (see detail of item 26) – clean and replace.

Jack Handle misses half a stroke.

- A. Oil too thick – empty and recharge with EPCO Jack Oil.

Handle creeps to upright position with Jack under load.

- A. Foreign matter under Delivery Valve Ball (see detail of item 26) – clean and replace.

Jack creeps down under load.

- A. Air locks – expel.
- B. Foreign matter under Release Valve (40) or Delivery Valve Ball (26) – clean and replace.
- C. Faulty Piston Seal (31) – replace.

## IMPORTANT SAFETY WARNING

Maintain in accordance with Operating/Service Instructions.

Use Jack for lifting only.

DO NOT exceed rated lifting capacity.

DO NOT work under vehicle unless supported by stands.

Jack only on firm level surface & lift centrally so load does not tilt.

Chock vehicle wheels to prevent vehicle moving.

Ensure Jack castor wheels are in line with lifting arm when using so that Jack is free to move under load.

Use safety lock, where fitted, to prevent accidental lowering.

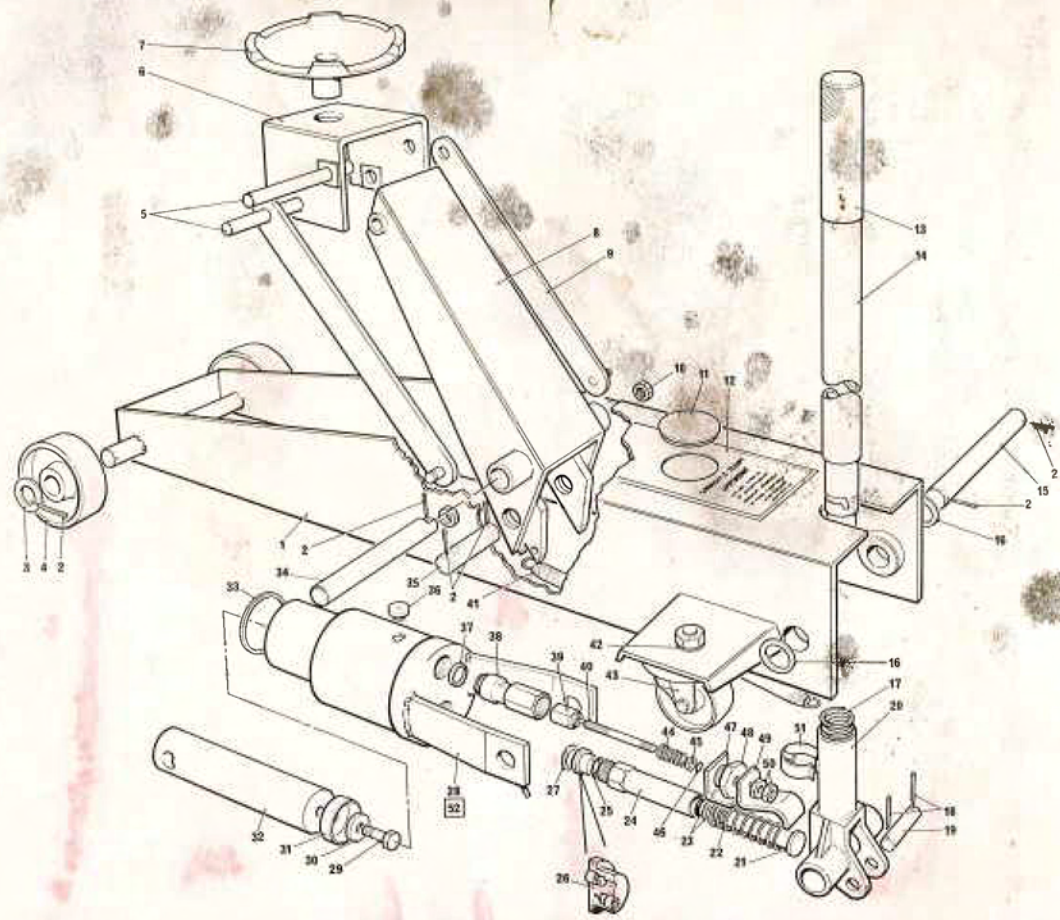
Ensure underneath of vehicle is clear before lowering.

Open release gradually to lower slowly.

Use only recommended oils.

Full service facilities are available from Epcoc recommended centres.  
Contact should be made through your supplier.





# SPARE PARTS LIST

| ITEM | DESCRIPTION             | No.<br>OFF | PART<br>No. | COMP.<br>REF. | ITEM | DESCRIPTION                     | No.<br>OFF | PART<br>No. | COMP.<br>REF. |
|------|-------------------------|------------|-------------|---------------|------|---------------------------------|------------|-------------|---------------|
| 1    | Frame Assembly          | 1          | S449        | 01309         | 26   | Suction/Delivery Valve Assembly | 1          | H6730       | 01124         |
| 2    | Split Pin               | 7          | H5292       | 62005         | 27   | Sealing Washer                  | 1          | H6491       | 71724         |
| 3    | Washer                  | 2          | H280W       | 62127         | 28   | Hydraulic Unit Body             | 1          | L1706       | 01098         |
| 4    | Front Wheel             | 2          | 2155 - 1    | 00452         | 29   | Setscrew                        | 1          | H5528       | 61046         |
| 5    | Crosshead Pin           | 2          | H4525       | 00445         | 30   | Ram Seal Washer                 | 1          | H4948       | 00422         |
| 6    | Crosshead               | 1          | L1193       | 00441         | 31   | Cup Seal                        | 1          | 2515 -8A    | 71080         |
| 7    | Crutch                  | 1          | H7111       | 01325         | 32   | Ram                             | 1          | L1847       | 00601         |
| 8    | Lifting Arm             | 1          | P857        | 01315         | 33   | Wiper Seal Ring                 | 1          | H6990       | 71757         |
| 9    | Crosshead Strap         | 2          | H7101       | 01318         | 34   | Lifting Arm Bolt                | 1          | H4497       | 00447         |
| 10   | Lock Nut                | 2          | H5468       | 60014         | 35   | Ram Pin                         | 1          | H4501       | 00453         |
| 11   | Coverplate Plug         | 1          | H6700       | 65039         | 36   | Filler Plug                     | 1          | H4561       | 65013         |
| 12   | Label (K40)             | 1          | L1928A      | 63088         | 37   | Copper Washer                   | 1          | H263F       | 62059         |
|      | Label (K30)             | 1          | L1928B      | 63082         | 38   | Release Tube                    | 1          | H6724       | 01122         |
| 13   | Handle Grip             | 1          | H4805       | 65000         | 39   | Release Adjusting Block         | 1          | H6717       | 01110         |
| 14   | Handle Tube Assembly    | 1          | H7102       | 01320         | 40   | Release Spindle                 | 1          | H6713       | 01109         |
| 15   | Handle Pivot Pin        | 1          | H7105       | 01322         | 41   | Return Spring                   | 1          | H1372       | 70020         |
| 16   | Washer                  | 2          | H280V       | 62126         | 42   | Shakeproof Washer               | 2          | H5849       | 62032         |
| 17   | Handle Spring           | 1          | H6693       | 70084         | 43   | Castor Assembly with Nut        | 2          | L1761       | 80205         |
| 18   | Split Pin               | 2          | H7071       | 62008         | 44   | Release Spring                  | 1          | H7034       | 70093         |
| 19   | Handle Base Plunger Pin | 1          | H6694       | 01121         | 45   | Washer                          | 1          | H5884       | 62053         |
| 20   | Handle Base             | 1          | L1756       | 01118         | 46   | 'O' Seal                        | 1          | H5510       | 71037         |
| 21   | Plunger                 | 1          | H6680       | 01103         | 47   | Release Cam Bracket             | 1          | H6719       | 01112         |
| 22   | Plunger Spring          | 1          | H6535       | 70085         | 48   | Release Housing                 | 1          | H6718       | 01111         |
| 23   | Plunger Seal Pack       | 1          | H5879 &     | 71039         | 49   | Release Cam Lever               | 1          | H6716       | 01113         |
|      |                         | 1          | H6712       | 71753         | 50   | Locknut                         | 2          | H5864       | 60004         |
| 24   | Plunger Housing         | 1          | H6536       | 01106         | 51   | Handle Cam Peg Assembly         | 1          | H6695       | 01119         |
| 25   | Copper Washer           | 1          | H7080       | 62124         | 52   | Replacement Hydraulic Unit      | 1          | P853        | 01275         |