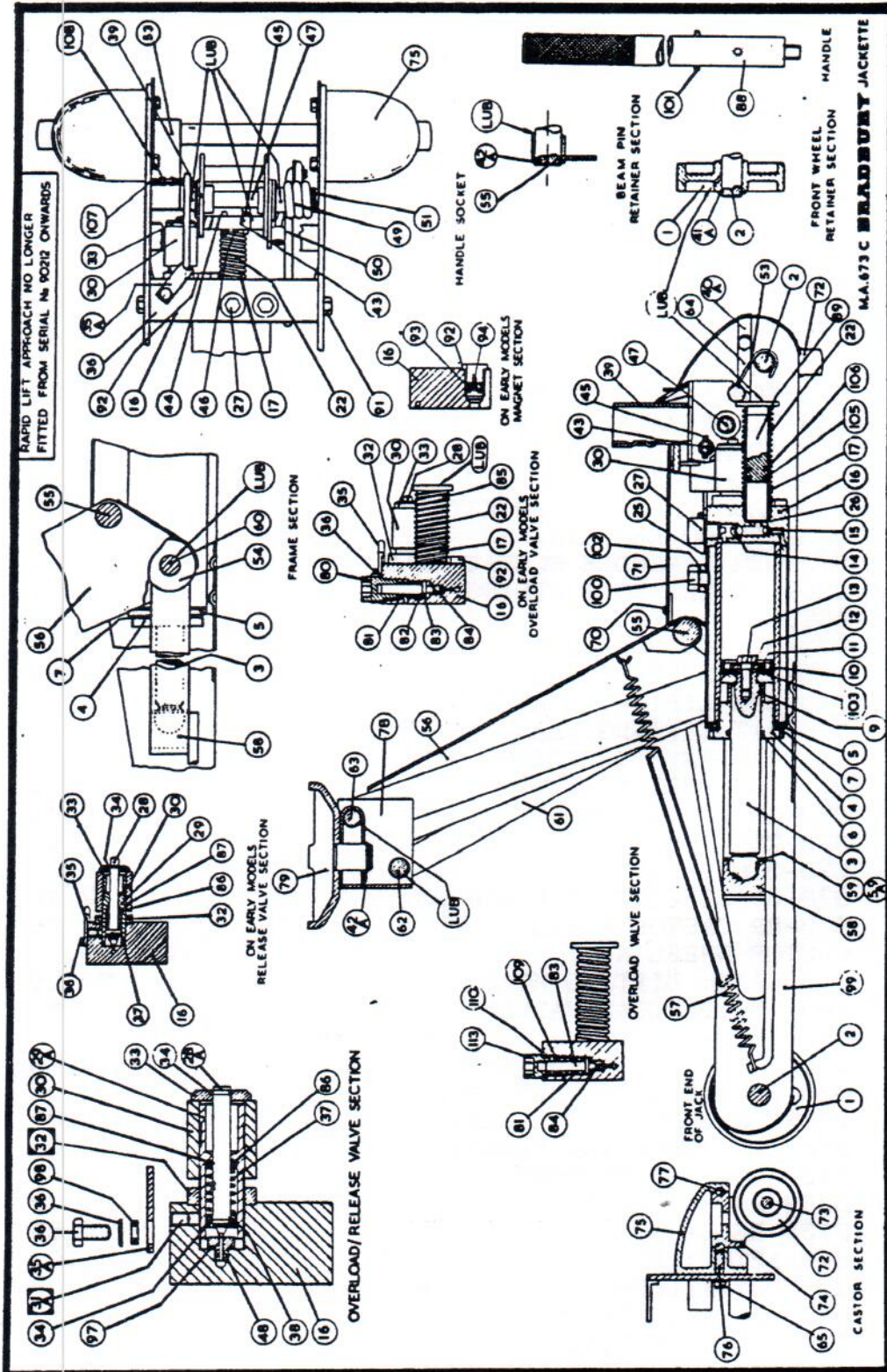


MODEL 673



When using the MODEL name JACKETTE it should be remembered that there is also a JACKETTE MK2 (MODEL 873) which is listed separately. To avoid confusion please use model number when ordering spare parts.